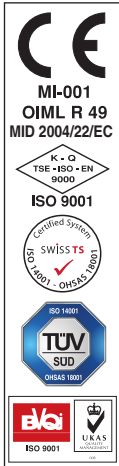


BAYLAN

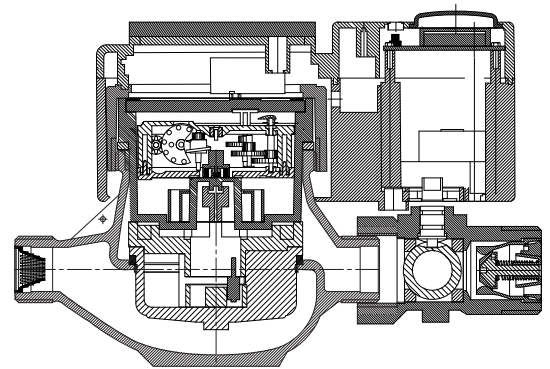
WATER METERS

AK-21 V Prepaid Volumetric Water Meter



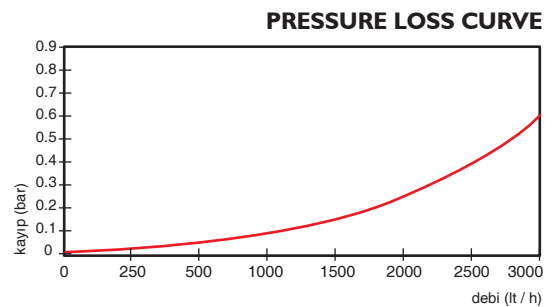
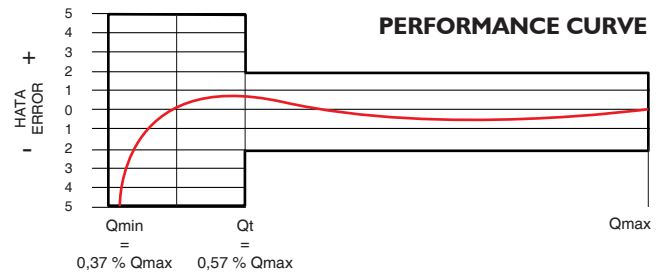
GENERAL

- Cash in advance payment
- Volumetric principle assures very high sensitivity even at low flow
- Assured measurement precision when installed in horizontal or vertical direction
- Complete management of the water consumption
- Elimination of meter reading process
- Easy analysis of water consumption by rich reports on PC
- Contactless card usage ensures isolation against external affects
- No meter dismantling because of the debts
- Setting up different tariffs
- Check valve disabling bi-directional water flow
- Sleeve security check and electronic sensor
- Lithium battery replaced by local administration
- LCD display with back light
- Suitable for cold water up to 50°C
- Almost no maintenance
- All spare parts available, wide range of service network
- Leakage control system
- 3 years of warranty



PERFORMANCE DATA

	75/33/AT
Nominal Flowrate	Qn (m ³ /h) : 1.5
Maximum Flowrate	Qmax (m ³ /h) : 3.0
Transitional Flowrate	Qt (m ³ /h) : 0.01725
Minimum Flowrate	Qmin (m ³ /h) : 0.01125
	MI-001
Permanent Flowrate	Q3 (m ³ /h) : 2.5
Overload Flowrate	Q4 (m ³ /h) : 3.125
Transitional Flowrate	Q2 (m ³ /h) : 0.020
Minimum Flowrate	Q1 (m ³ /h) : 0.0125
Initial Flowrate	Qi (l/h) : 2
Maximum Working Pressure	(bar) : 16
Maximum Working Temperature	(°C) : 50
Metrological Class (75/33/AT)	: D
Q3/Q1 (MI-001 OIML R49)	: 200
Pressure Loss	(bar) : 0.6
Maximum Registration Capacity	(m ³) : 99999
Smallest Reading Resolution	(m ³) : 0.00005
Mounting on the network	: Horizontal and Vertical
Unit weight	(kg) : 2.190
Package Weight (without connections)	(kg) : 2.290
Package Weight (with connections)	(kg) : 2.530
Quantity per package	: 1
Package dimensions	(cm) : 21x10.5x16.5



DIMENSIONS

Nominal diameter	DN	20	mm
Connecting diameter	D	G 1	B
Total overall meter height	H	135	mm
Axis height	h	38.5	mm
Length	L	190	mm
Width	B	110	mm
Length with connections	LB	290	mm
LCD Screen Length		64x20	mm
LCD Screen Angle		30°	mm

