

BAYLAN

WATER METERS

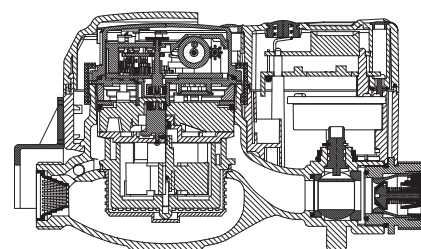
AK-311 STS

Remote Reading and Prepaid Water Meters



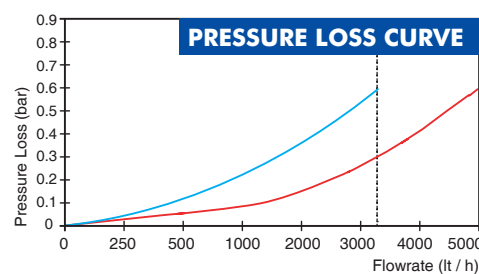
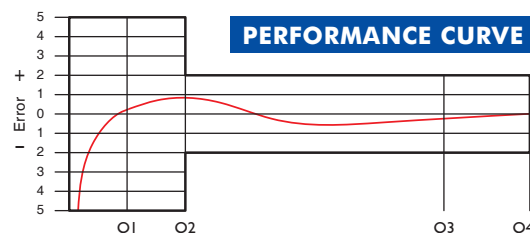
GENERAL

- MID Certificated • STS Certificated
- Robust and proved encryption technology
- Loading credit without smart card from anywhere.
- Radio Frequency automatic remote reading
- Reading through the center of the GPRS system, the collector of conformity
- Complete management of the water consumption
- Elimination of meter reading process
- No meter dismantling because of the debts
- Setting up different tariffs • Suitable for potable water
- IP68 protected electronic circuit and mechanical meter
- Check valve disabling bidirectional water flow
- Fitting security cover and electronic sensor
- Lithium battery replaceable by local administration
- LCD display with backlight
- Suitable for cold water up to 50°C
- All spare parts available, wide range of service network
- Leakage control system, 3 years of warranty



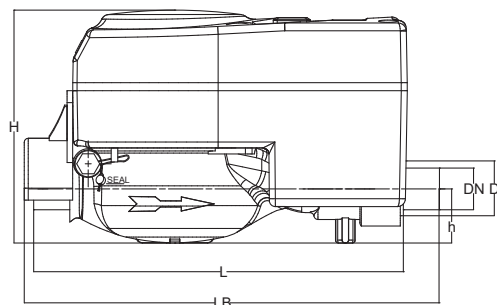
PERFORMANCE DATA

| | | | |
|-------------------------------|----------------|----------------------------------|--------------|
| Nominal Diameter | DN | 15/20 | 20 |
| Overload Flowrate | Q4 | m ³ /h | 3,125 5 |
| Permanent Flowrate | Q3 | m ³ /h | 2,5 4 |
| Transitional Flowrate | Q2 | m ³ /h | 0,016 0,0256 |
| Minimum Flowrate | Q1 | m ³ /h | 0,010 0,016 |
| Q3/Q1 (MI-001 OIML R49) | - | ≤250 | ≤250 |
| Initial Flow | Qi | l/h | 7 |
| Maximum Working Pressure | bar | 16 | |
| Maximum Working Temperature | °C | 50 | |
| Pressure Loss | bar | 0,63 | |
| Maximum Registration Capacity | m ³ | 9999/ 99999/ 99999,99/ 99999,999 | |
| Smallest Reading Resolution | m ³ | 0,00005 | |
| Mounting on the network | - | Horizontal | |
| Accuracy Class | - | Class 1 / Class 2 | |
| Quantity per package | - | 5 | |
| Package dimensions | cm | 16x55x24 | |



DIMENSIONS

| | | | | |
|--------------------------------------|----|-------|-------|----|
| Nominal diameter | DN | 15 | 20 | mm |
| Connecting diameter | D | G 3/4 | G 1 | B |
| Total overall meter height | H | 118 | 118 | mm |
| Axis height | h | 27 | 27 | mm |
| Length | L | 190 | 190 | mm |
| Width | B | 100 | 100 | mm |
| Length with connections | LB | 270 | 270 | mm |
| LCD Screen Length | | 64x20 | 64x20 | mm |
| LCD Screen Angle | | 30° | 30° | mm |
| Unit weight | | 1,70 | 1,70 | kg |
| Package Weight (without connections) | | 9,19 | 9,19 | kg |
| Package Weight (with connections) | | 10,00 | 10,14 | kg |



"Due to continuous development of our products, we reserve the right to modify our product design or construction without prior notice."