

# BAYLAN

## WATER METERS

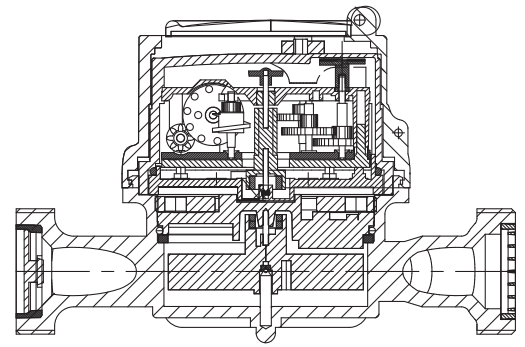
### KK-11

## Single jet Dry type Water Meter



#### GENERAL

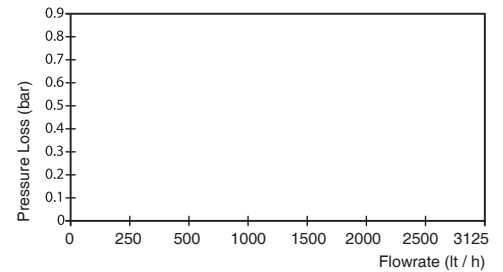
- MID Certified
- Single jet design assures very high sensitivity even at low flows
- 360° rotating lid • Suitable for potable water
- Available for optical reading
- Pulse output and AMR reading features are optional
- Electrostatic painted body made of corrosion resistant brass
- Protection against external magnetic fields
- 3 years of warranty
- Vacuumed mechanism
- Suitable for cold water up to 50°C
- Almost no maintenance
- Service and spare parts available for 10 years



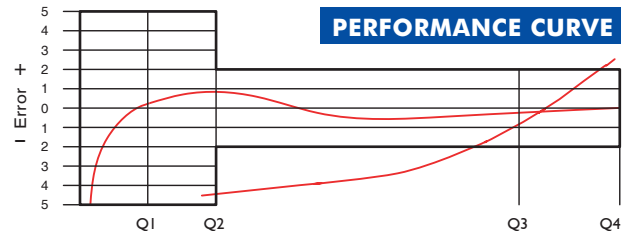
#### PERFORMANCE DATA

Overload Flowrate	Q4	m <sup>3</sup> /h	3,125
Permanent Flowrate	Q3	m <sup>3</sup> /h	2,5
Transitional Flowrate	Q2	m <sup>3</sup> /h	0,025   0,050
Minimum Flowrate	Q1	m <sup>3</sup> /h	0,0156   0,03125
Q3/Q1 (MI-001 OIML R49)	-		≤160   ≤80
Mounting on the network	-	H	V
Maximum Registration Capacity	m <sup>3</sup>		9999 / 99999 / 99999,99 / 99999,999
Initial Flow	Qi	l/h	5
Maximum Working Pressure	bar		16
Maximum Working Temperature	°C		50
Pressure Loss	bar		0,63
Smallest Reading Resolution	m <sup>3</sup> /h		0,00005
Class	-		Class 1/Class 2
Quantity per package	-		10
Package dimensions	cm		21x43x17

#### PRESSURE LOSS CURVE

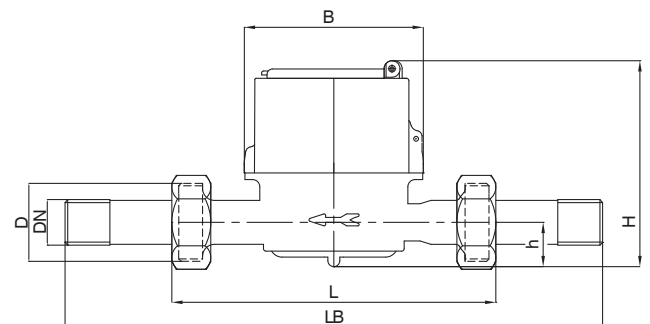


#### PERFORMANCE CURVE



#### DIMENSIONS

Nominal diameter	DN	20	mm
Connecting diameter	D	G 1	B
Total overall meter height	H	84,5	mm
Axis height	h	17,5	mm
Length	L	130	mm
Width	B	74,5	mm
Length with connections	LB	210	mm
Unit weight		0,58	kg
Package Weight (without connections)		6,42	kg
Package Weight (with connections)		8,32	kg



"Due to continuous development of our products, we reserve the right to modify our product design or construction without prior notice."