

BAYLAN

WATER METERS

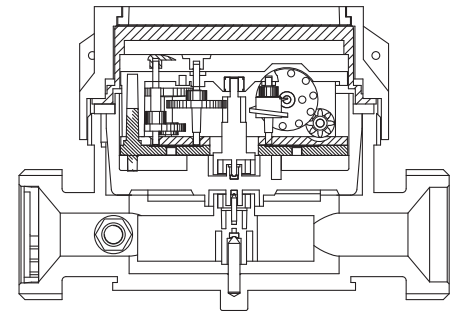
KK-1P

Single jet Dry type Water Meter



GENERAL

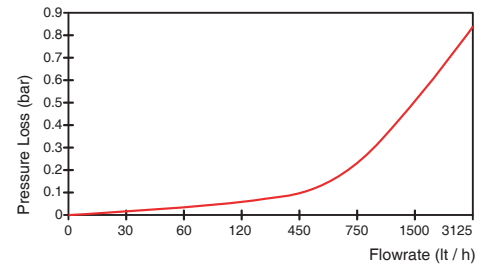
- MID Certified
- Single jet design assures very high sensitivity even at low flows
- Composite body with high resistance to pressure and impacts
- Protection against external magnetic fields
- Suitable for potable water
- Available for optical reading
- Pulse output and AMR reading features are optional
- 3 years of warranty
- 360° rotating lid
- Vacuumed mechanism
- Suitable for cold water up to 50°C
- Almost no maintenance
- Service and spare parts available for 10 years



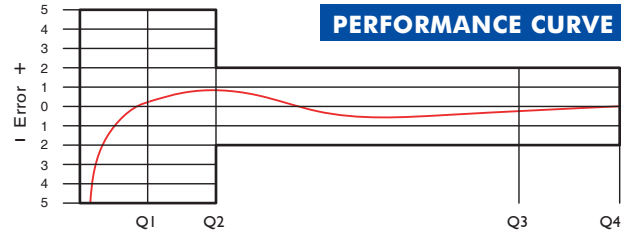
PERFORMANCE DATA

| | | | | |
|-------------------------------|------|------|-------------------------------------|---------|
| Overload Flowrate | Q4 | m³/h | 3,125 | |
| Permanent Flowrate | Q3 | m³/h | 2,5 | |
| Transitional Flowrate | Q2 | m³/h | 0,025 | 0,050 |
| Minimum Flowrate | Q1 | m³/h | 0,0156 | 0,03125 |
| Q3/Q1 (MI-001 OIML R49) | - | | ≤160 | ≤80 |
| Mounting on the network | - | | H | V |
| Maximum Registration Capacity | m³ | | 9999 / 99999 / 99999,99 / 99999,999 | |
| Initial Flow | Qi | l/h | 7 | |
| Maximum Working Pressure | bar | | 16 | |
| Maximum Working Temperature | °C | | 50 | |
| Pressure Loss | bar | | 0,63 | |
| Smallest Reading Resolution | m³/h | | 0,00005 | |
| Class | - | | Class 1/Class 2 | |
| Quantity per package | - | | 10 | |
| Package dimensions | cm | | 21x42,5x16,5 | |

PRESSURE LOSS CURVE

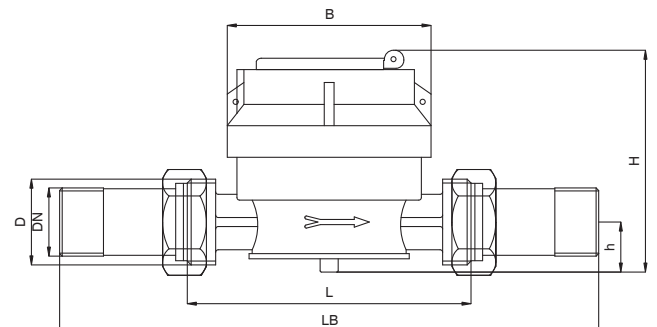


PERFORMANCE CURVE



DIMENSIONS

| | | | | |
|--------------------------------------|----|---------|---------|----|
| Nominal diameter | DN | 15 | 20 | mm |
| Connecting diameter | D | G 3/4 | G 1 | B |
| Total overall meter height | H | 86 | 86 | mm |
| Axis height | h | 20 | 20 | mm |
| Length | L | 110/115 | 110/115 | mm |
| Width | B | 85 | 85 | mm |
| Length with connections | LB | 190/195 | 190/195 | mm |
| Unit weight | | 0,33 | 0,34 | kg |
| Package Weight (without connections) | | 3,92 | 4,10 | kg |
| Package Weight (with connections) | | 4,42 | 4,90 | kg |



"Due to continuous development of our products, we reserve the right to modify our product design or construction without prior notice."