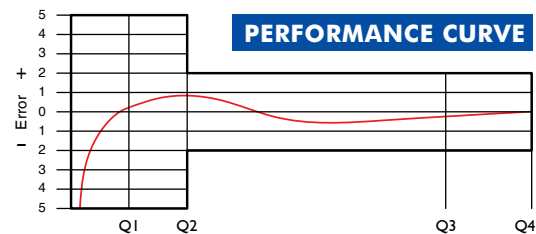
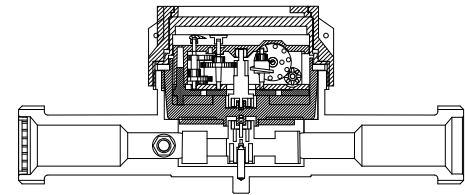


BAYLAN

WATER METERS

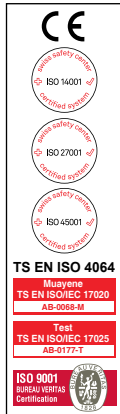
KK-2

Single jet Dry type Water Meter



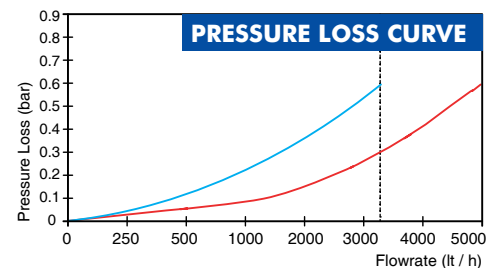
GENERAL

- MID Certified
- Single jet design assures very high sensitivity even at low flows
- Suitable for potable water
- Electrostatic painted body made of corrosion resistant brass
- Available for optical reading
- Pulse output and AMR reading features are optional
- Protection against external magnetic fields
- 3 years of warranty
- 360° rotating lid
- Wiper on the glass is optional
- Vacuumed mechanism
- Suitable for cold water up to 50°C
- Almost no maintenance
- Service and spare parts available for 10 years



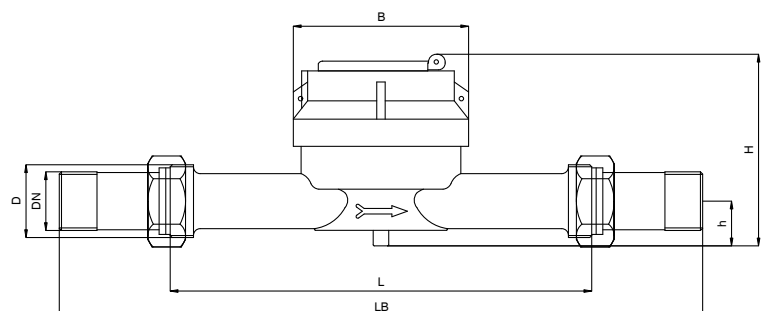
PERFORMANCE DATA

		MID-001				75/33/EC		
Overload Flowrate	Q4	m ³ /h	3,125	5	3,125	5	Qn	1.5
Permanent Flowrate	Q3	m ³ /h	2,5	4	2,5	4	Qmax	3.0
Transitional Flowrate	Q2	m ³ /h	0,025	0,040	0,050	0,08	Qt	0.12
Minimum Flowrate	Q1	m ³ /h	0,01562	0,025	0,03125	0,05	Qmin	0.03
Q3/Q1 (MI-001 OIML R49)	-		160		80			160
Mounting on the network	-		H		V			H
Initial Flow	Qi	l/h	5					
Maximum Working Pressure		bar	16					
Maximum Working Temperature		°C	50					
Pressure Loss		bar	0,6					
Maximum Registration Capacity		m ³	9999/ 99999/ 99999,99/ 99999,999					
Smallest Reading Resolution		m ³ /h	0.00005					
Quantity per package		-	10					
Package dimensions		cm	24x47x23					



DIMENSIONS

Nominal diameter	DN	20	mm
Connecting diameter	D	G 1	B
Total overall meter height	H	85	mm
Axis height	h	20	mm
Length	L	190	mm
Width	B	79	mm
Length with connections	LB	270	mm
Unit weight		0,92	kg
Package Weight (without connections)		9,86	kg
Package Weight (with connections)		11,76	kg



"Due to continuous development of our products, we reserve the right to modify our product design or construction without prior notice."