

# BAYLAN

## WATER METERS

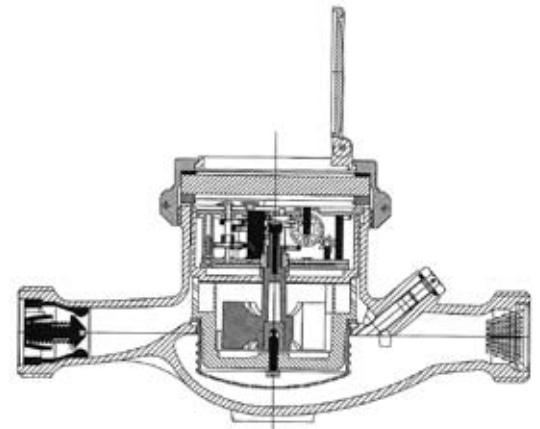


## SD-4 Multi Jet Semi-Dry Type Water Meter



### GENERAL

- Multijet principle assures a long service time
- Low head loss • Good sensitivity in initial starting
- Glycerine protected register
- Special glass with high resistance to pressure and impact
- Double filter • Non return valve
- Electrostatic painted body made of corrosion resistant brass
- Body internally/externally e/p powder painted
- 3 years of warranty • Almost no maintenance
- Suitable for cold water up to 50°C
- Service and spare parts available for 10 years



### PERFORMANCE DATA

	<b>75/33/AT</b>
Nominal Flowrate	Q <sub>n</sub> (m <sup>3</sup> /h) : 1.5
Maximum Flowrate	Q <sub>max</sub> (m <sup>3</sup> /h) : 3.0
Transitional Flowrate	Q <sub>t</sub> (m <sup>3</sup> /h) : 0.0225
Minimum Flowrate	Q <sub>min</sub> (m <sup>3</sup> /h) : 0.015
	<b>MI-001</b>
Permanent Flowrate	Q <sub>3</sub> (m <sup>3</sup> /h) : 2.5
Overload Flowrate	Q <sub>4</sub> (m <sup>3</sup> /h) : 3.125
Transitional Flowrate	Q <sub>2</sub> (m <sup>3</sup> /h) : 0.025
Minimum Flowrate	Q <sub>1</sub> (m <sup>3</sup> /h) : 0.0156
Initial Flowrate	Q <sub>i</sub> (l/h) : 5
Maximum Working Pressure	(bar) : 16
Maximum Working Temperature	(°C) : 50
Metrological Class (75/33/AT)	: C
Q <sub>3</sub> /Q <sub>1</sub> (MI-001 OIML R49)	: 160
Pressure Loss	(bar) : 0.6
Maximum Registration Capacity	(m <sup>3</sup> ) : 99999
Smallest Reading Resolution	(m <sup>3</sup> ) : 0.00005
Mounting on the network	: Horizontal
Unit weight	(kg) : 1.12
Package Weight (without connections)	(kg) : 12.0
Package Weight (with connections)	(kg) : 14.2
Quantity per package	: 10
Package dimensions	(cm) : 24x25x47

### DIMENSIONS

Nominal diameter	DN	20	mm
Connecting diameter	D	G I	B
Total overall meter height	H	103	mm
Axis height	h	32	mm
Length	L	190	mm
Width	B	86	mm
Length with connections	LB	290	mm

