

BAYLAN

WATER METERS

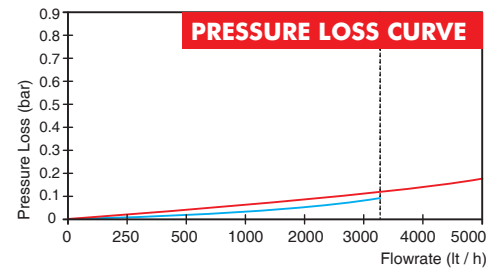
ST-2S

Remote Reading Ultrasonic Hot Water Meters



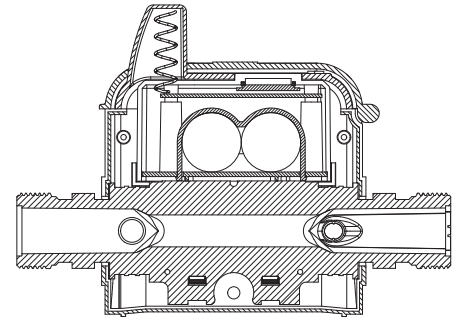
GENERAL

- MID Certificated
- Supports Wireless MBUS Protocol • RF Readings
- EN13757 compliant wired M-Bus protocol (Optional)
- Modbus RTU (RS485) (Optional)
- Composite body with high resistance to pressure and impacts
- 3,6V Lithium battery
- Selectable Frequency Band EU 863-870 Mhz
- Ultrasonic principle assures very high sensitivity even at low flow
- Suitable for hot water up to 90°C • Suitable for potable water
- No measurement of air • Reverse flow detection
- Wide dynamic measuring range and low pressure loss
- Solid stainless steel reflector • IP 68 protection class
- Can be mounted all positions desired
- Leakage control system • 3 years of warranty
- Advanced service network
- Service and spare parts available for 10 years



PERFORMANCE DATA

Overload Flowrate	Q4	m ³ /h	3,125	5
Permanent Flowrate	Q3	m ³ /h	2,5	4
Transitional Flowrate	Q2	m ³ /h	0,008	0,008
Minimum Flowrate	Q1	m ³ /h	0,005	0,005
Q3/Q1 (MI-001 OIML R49)	-		≤500	≤800
Maximum Registration Capacity	m ³		999999,999	
Mounting on the network	-		All Positions	
Initial Flow	Qi	l/h	1	
Maximum Working Pressure	bar		16	
Maximum Working Temperature	°C		90	
Pressure Loss	bar		0,10	0,16
Smallest Reading Resolution	m ³		0,000001	
Class	-		Class 1 / Class 2	
Quantity per package	-		5	



DIMENSIONS

Nominal diameter	DN	20	mm
Connecting diameter	D	G 1	B
Total overall meter height	H	136	mm
Axis height	h	36	mm
Width	B	80	mm
Length	L	190	mm
Length with connections	LB	270	mm
LCD Screen Length		50x30	mm
LCD Screen Angle		30°	mm
Unit weight		0,62	kg
Package Weight (without connec.)		3,76	kg
Package Weight (with connec.)		4,71	kg
Package dimensions		16x54x23	cm

