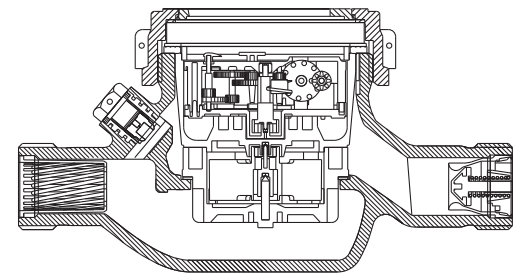


# BAYLAN

## WATER METERS

### TK-2P

## Multi jet Dry type Water Meter



#### GENERAL

- MID Certified
- Suitable for potable water
- Multi jet working principle assures a long service time
- Low pressure loss, high sensitivity at initial flow
- Vacuumed mechanism
- 360° rotating lid • Non return valve
- Composite body with high resistance to pressure and impacts
- Protection against external magnetic fields
- Available for optical reading
- Pulse output and AMR reading features are optional
- 3 years of warranty • Almost no maintenance
- Suitable for cold water up to 50°C
- Stainless steel register cup is optional
- Service and spare parts available for 10 years
- Brass or composite end connection options



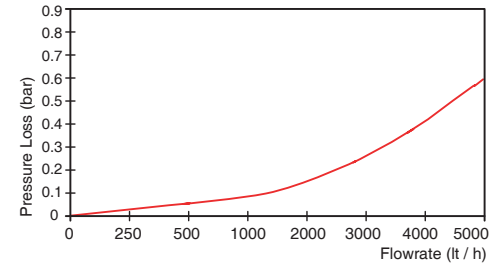
#### PERFORMANCE DATA

Overload Flowrate	Q4	m <sup>3</sup> /h	5
Permanent Flowrate	Q3	m <sup>3</sup> /h	4
Transitional Flowrate	Q2	m <sup>3</sup> /h	0,032
Minimum Flowrate	Q1	m <sup>3</sup> /h	0,02
Q3/Q1 (MI-001 OIML R49)			≤200
Mounting on the network			Horizontal
Maximum Registration Capacity			9999 / 99999 / 99999,99 / 99999,999
Initial Flowrate	Qi	l/h	6
Maximum Working Pressure	bar		16
Maximum Working Temperature	°C		50
Pressure Loss	bar		0,63
Smallest Reading Resolution	m <sup>3</sup>		0,00005
Class			Class 1 / Class 2
Quantity per package			10

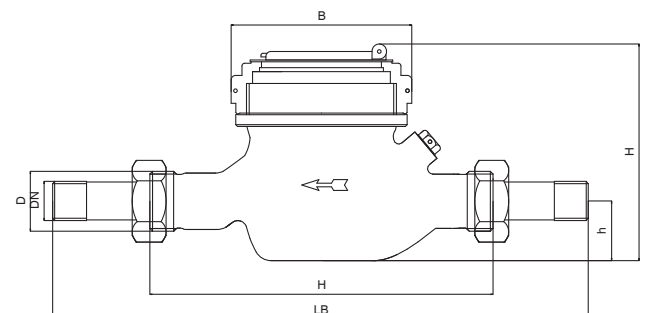
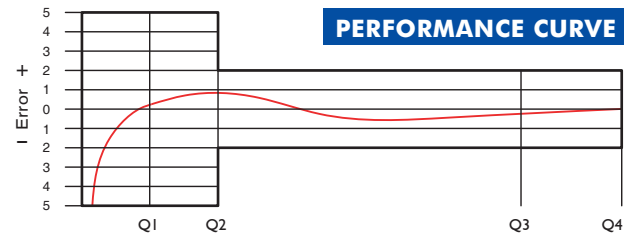
#### DIMENSIONS

Nominal diameter	DN	20	mm
Connecting diameter	D	G1	B
Total overall meter height	H	114	mm
Axis height	h	34	mm
Length	L	190	mm
Width	B	96	mm
Length with connections	LB	270	mm
Unit weight		0,78	kg
Package Weight (without connect)		8,74	kg
Package Weight (with connect)		9,54	kg
Package dimensions		27x52x22	cm

#### PRESSURE LOSS CURVE



#### PERFORMANCE CURVE



"Due to continuous development of our products, we reserve the right to modify our product design or construction without prior notice."