



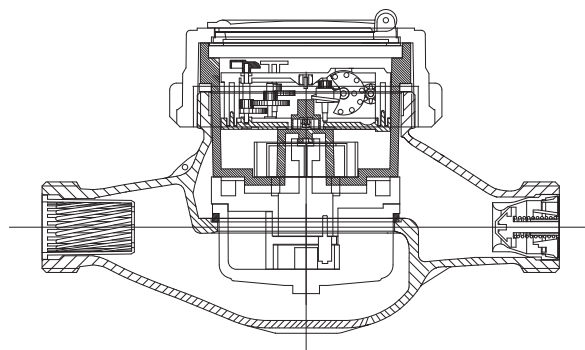
## VK-1 Volumetric Water Meter

**BAYLAN**  
WATER METERS



### GENERAL

- Volumetric principle assures very high sensitivity even at low flow
- Very good sensitivity in initial starting
- Special glass with high resistance to pressure and impact
- Electrostatic painted body made of corrosion resistant brass
- Body internally/externally e/p powder painted
- Available for optical reading
- 3 years of warranty • Non return valve
- Suitable for cold water up to 50°C
- Almost no maintenance • 360° rotating lid
- Service and spare parts available for 10 years



### PERFORMANCE DATA

	<b>75/33/AT</b>	
Nominal Flowrate	Qn	( m <sup>3</sup> / h ) : 1.5
Maximum Flowrate	Qmax	( m <sup>3</sup> / h ) : 3.0
Transitional Flowrate	Qt	( m <sup>3</sup> / h ) : 0.0225
Minimum Flowrate	Qmin	( m <sup>3</sup> / h ) : 0.015
	<b>MI-001</b>	
Permanent Flowrate	Q3	( m <sup>3</sup> / h ) : 2.5
Overload Flowrate	Q4	( m <sup>3</sup> / h ) : 3.125
Transitional Flowrate	Q2	( m <sup>3</sup> / h ) : 0.025
Minimum Flowrate	Q1	( m <sup>3</sup> / h ) : 0.0156
Initial Flowrate	Qi	( l/h ) : 3
Maximum Working Pressure	( bar )	: 16
Maximum Working Temperature	( °C )	: 50
Metrological Class (75/33/AT)		: C
Q3/Q1 (MI-001 OIML R49)		: 160
Pressure Loss (Q3)	( bar )	: 0.6
Maximum Registration Capacity	( m <sup>3</sup> )	: 99999
Smallest Reading Resolution	( m <sup>3</sup> )	: 0.00005
Mounting on the network		: Horizontal and Vertical
Unit weight	( kg )	: 1.56
Package Weight (without connections)	( kg )	: 15.9
Package Weight (with connections)	( kg )	: 17.95
Quantity per package		: 10
Package dimensions	( cm )	: 24x46.5x21

### DIMENSIONS

Nominal diameter	DN	20	mm
Connecting diameter	D	G 1	B
Total overall meter height	H	109	mm
Axis height	h	31.5	mm
Length	L	190	mm
Width	B	97	mm
Length with connections	LB	285	mm

