

BAYLAN

WATER METERS

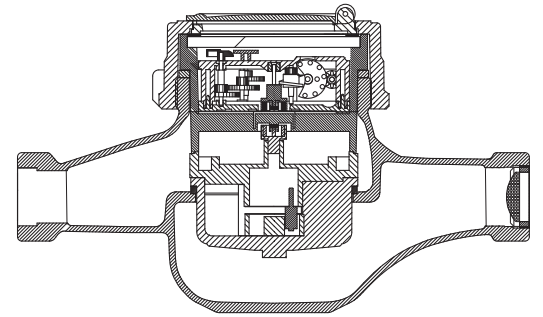
VK-8

Volumetric Water Meter



GENERAL

- MID Certified
- Volumetric principle assures very high sensitivity even at low flow
- Suitable for potable water
- Very good sensitivity in initial starting
- Special glass with high resistance to pressure and impact
- Electrostatic painted body made of corrosion resistant brass
- Protection against external magnetic fields
- Pulse output and AMR reading features are optional
- Suitable for cold water up to 50°C
- Almost no maintenance
- 360° rotating lid
- Service and spare parts available for 10 years
- 3 years of warranty



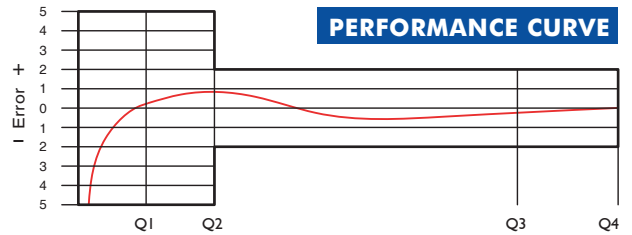
PERFORMANCE DATA

Overload Flowrate	Q4	m ³ /h	7,878
Permanent Flowrate	Q3	m ³ /h	6,3
Transitional Flowrate	Q2	m ³ /h	0,032
Minimum Flowrate	Q1	m ³ /h	0,020
Q3/Q1 (MI-001 OIML R49)	-		≤315
Mounting on the network	-		All Positions
Initial Flow	Qi	l/h	1
Maximum Working Pressure	bar		16
Maximum Working Temp.	°C		50
Pressure Loss	bar		0,63
Maximum Registration Cap.	m ³ /h		99999
Smallest Reading Resolution	m ³ /h		0,00005

DIMENSIONS

Nominal diameter	DN	25	mm
Connecting diameter	D	G1 1/4	B
Total overall meter height	H	144,7	mm
Axis height	h	53,7	mm
Length	L	260	mm
Width	B	112,3	mm
Length with connections	LB	380	mm
Unit weight		2,40	kg
Package Weight (without connect)		13,00	kg
Package Weight (with connect)		15,20	kg
Quantity per package		5	pcs
Package dimensions		30x33x35,5	cm

PERFORMANCE CURVE



PRESSURE LOSS CURVE

