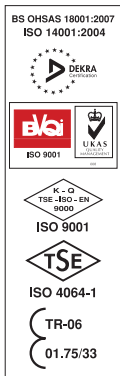




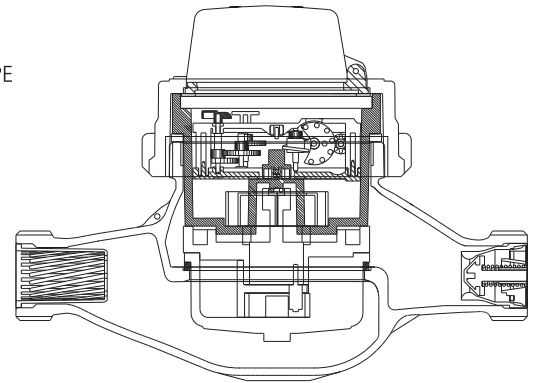
VK-2 Volumetric Water Meter

BAYLAN
WATER METERS



GENERAL

- Volumetric principle assures very high sensitivity even at low flow
- Optional electronics outputs: EV, EF, Dialog 3G, Dialog 2G, DPE, MPE
- Installation in every position both vertical and horizontal
- Super dry type vacuumed mechanism
- Very good sensitivity in initial starting
- Electrostatic painted body made of corrosion resistant brass
- Body internally/externally e/p powder painted
- Available for optical reading
- 3 years of warranty • Non return valve
- Suitable for cold water up to 50°C
- Almost no maintenance
- Service and spare parts available for 10 years



PERFORMANCE DATA

	75/33/AT		
Nominal Flowrate	Qn	(m ³ / h)	: 1.5
Maximum Flowrate	Qmax	(m ³ / h)	: 3
Transitional Flowrate	Qt	(m ³ / h)	: 0.01725
Minimum Flowrate	Qmin	(m ³ / h)	: 0.01125
	MI-001		
Permanent Flowrate	Q3	(m ³ / h)	: 2.5
Overload Flowrate	Q4	(m ³ / h)	: 3.125
Transitional Flowrate	Q2	(m ³ / h)	: 0.020
Minimum Flowrate	Q1	(m ³ / h)	: 0.0125
Initial Flowrate	Qi	(l/h)	: 2
Maximum Working Pressure		(bar)	: 16
Maximum Working Temperature		(°C)	: 50
Metrological Class (75/33/AT)			: D
Q3/Q1 (MI-001 OIML R49)			: 200
Pressure Loss (Q3)		(bar)	: 0.6
Maximum Registration Capacity		(m ³)	: 99999
Smallest Reading Resolution		(m ³)	: 0.00005
Mounting on the network			: Horizontal and Vertical
Unit weight		(kg)	: 1.52
Package Weight (without connections)		(kg)	: 15.40
Package Weight (with connections)		(kg)	: 17.40
Quantity per package			: 10
Package dimensions		(cm)	: 21.5x57.5x33

DIMENSIONS

Nominal diameter	DN	20	mm
Connecting diameter	D	G 1	B
Total overall meter height	H	132	mm
Axis height	h	36	mm
Length	L	190	mm
Width	B	100	mm
Length with connections	LB	285	mm

