

BAYLAN

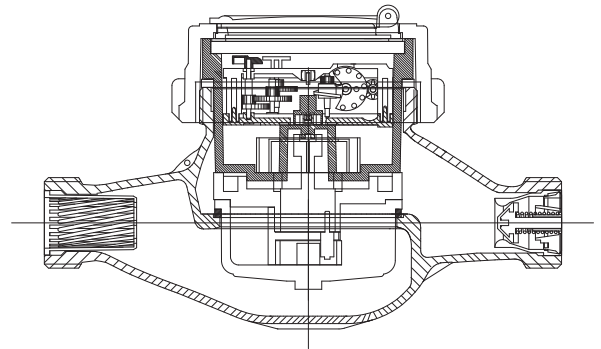
WATER METERS

VK-3 Volumetric Water Meter



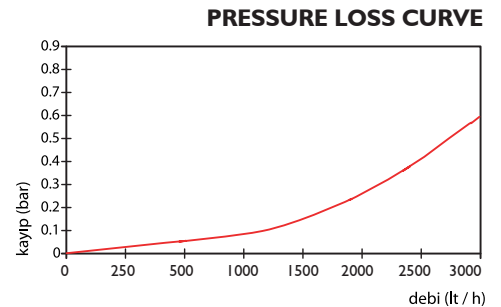
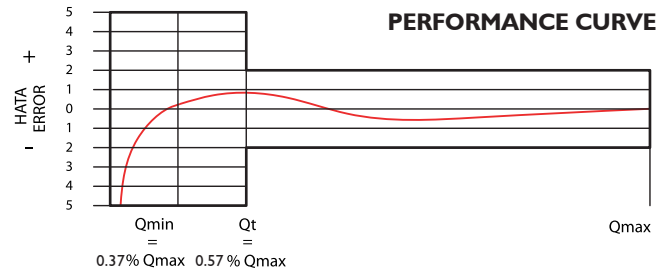
GENERAL

- Volumetric principle assures very high sensitivity even at low flow
- Very good sensitivity in initial starting
- Special glass with high resistance to pressure and impact
- Electrostatic painted body made of corrosion resistant brass
- Body internally/externally e/p powder painted
- Available for optical and remote (AMR) reading
- 3 years of warranty • Non return valve
- Suitable for cold water up to 50°C
- Almost no maintenance • 360° rotating lid
- Service and spare parts available for 10 years



PERFORMANCE DATA

	75/33/AT	
Nominal Flowrate	Qn (m ³ /h)	: 1.5
Maximum Flowrate	Qmax (m ³ /h)	: 3.0
Transitional Flowrate	Qt (m ³ /h)	: 0.01725
Minimum Flowrate	Qmin (m ³ /h)	: 0.01125
	MI-001	
Permanent Flowrate	Q3 (m ³ /h)	: 2.5
Overload Flowrate	Q4 (m ³ /h)	: 3.125
Transitional Flowrate	Q2 (m ³ /h)	: 0.020
Minimum Flowrate	Q1 (m ³ /h)	: 0.0125
Initial Flowrate	Qi (l/h)	: 2
Maximum Working Pressure	(bar)	: 16
Maximum Working Temperature	(°C)	: 50
Metrological Class (75/33/AT)		: D
Q3/Q1 (MI-001 OIML R49)		: 200
Pressure Loss	(bar)	: 0.6
Maximum Registration Capacity	(m ³)	: 99999
Smallest Reading Resolution	(m ³)	: 0.00005
Mounting on the network		: Horizontal and Vertical
Unit weight	(kg)	: 1.56
Package Weight (without connections) (kg)		: 15.9
Package Weight (with connections) (kg)		: 17.95
Quantity per package		: 10
Package dimensions	(cm)	: 24x46.5x21



DIMENSIONS

Nominal diameter	DN	20	mm
Connecting diameter	D	G 1	B
Total overall meter height	H	109	mm
Axis height	h	31.5	mm
Length	L	190	mm
Width	B	97	mm
Length with connections	LB	285	mm

