

# BAYLAN

## WATER METERS

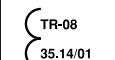
# AK-21

## Prepaid

### Water Meter

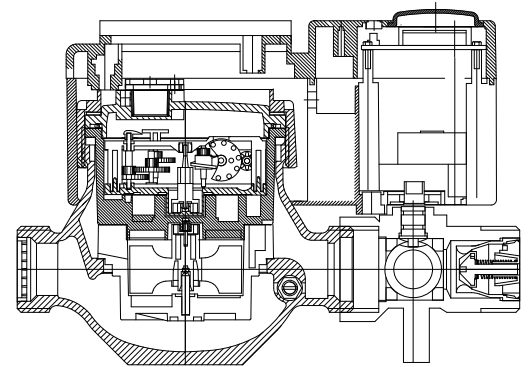


BS OHSAS 18001:2007  
ISO 14001:2004



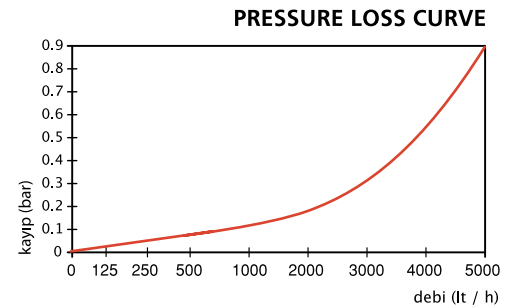
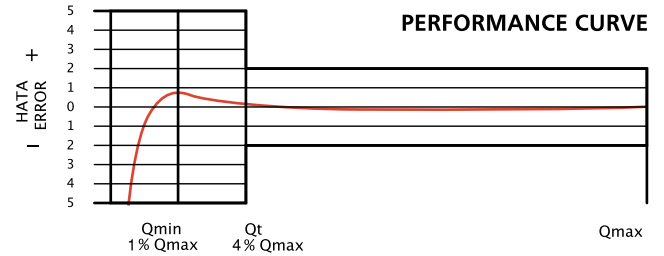
### GENERAL

- Fully management of the water consumption
- No need for meter reading
- Easy statistics at PC
- Great saving from time
- No meter dismantling because of the debts
- Isolation from outside by non contact card
- 3 years of warranty
- Non return valve and filter
- Almost no maintenance
- Suitable for cold water up to 30°C
- Service and spare parts available for 10 years



### PERFORMANCE DATA

Nominal Flow	Qn	( m <sup>3</sup> / h )	: 2.5
Maximum Flow	Qmax	( m <sup>3</sup> / h )	: 5.0
Transitional Flow	Qt	( m <sup>3</sup> / h )	: 0.20
Minimum Flow	Qmin	( m <sup>3</sup> / h )	: 0.05
Initial Flow	Qi	( l/h )	: 12
Maximum Working Pressure		( bar )	: 10
Maximum Working Temperature		( °C )	: 30
Metrological Class			: B
Pressure Loss		( bar )	: 1
Maximum Registration Capacity		( m <sup>3</sup> )	: 99999
Smallest Reading Resolution		( m <sup>3</sup> )	: 0.00005
Mounting on the network			: Horizontal
Package Weight (without connections)		( kg )	: 2.1
Package Weight (with connections)		( kg )	: 2.35
Quantity per package			: 1
Package dimensions		( cm )	: 22x15x15



### DIMENSIONS

Nominal diameter	DN	20	mm
Connecting diameter	D	G 1	B
Total overall meter height	H	130	mm
Axis height	h	28	mm
Length	L	190	mm
Width	B	110	mm
Length with connections	LB	290	mm
LCD Screen Length		64x20	mm
LCD Screen Angle		30°	

