



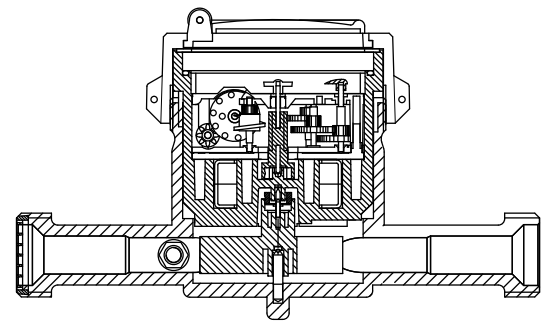
KK-10 Single jet Dry type Water Meter

BAYLAN
WATER METERS



GENERAL

- MID Certified
- Single jet design assures very high sensitivity even at low flows
- 360° rotating lid
- Electrostatic painted body made of corrosion resistant brass
- Vacuum mechanism
- Protection against external magnetic fields
- Available for optical reading
- 3 years of warranty
- Almost no maintenance
- Suitable for cold water up to 50°C
- Service and spare parts available for 10 years



PERFORMANCE DATA

	75/33/AT		
Nominal Flowrate	Qn	(m ³ /h)	: 1.5
Maximum Flowrate	Qmax	(m ³ /h)	: 3.0
Transitional Flowrate	Qt	(m ³ /h)	: 0.0225
Minimum Flowrate	Qmin	(m ³ /h)	: 0.015
	MI-001		
Permanent Flowrate	Q3	(m ³ /h)	: 2.5
Overload Flowrate	Q4	(m ³ /h)	: 3.125
Transitional Flowrate	Q2	(m ³ /h)	: 0.025
Minimum Flowrate	Q1	(m ³ /h)	: 0.0156
Initial Flowrate	Qi	(l/h)	: 5
Maximum Working Pressure		(bar)	: 16
Maximum Working Temperature		(°C)	: 50
Metrological Class (75/33/AT)			: C
Q3/Q1 (MI-001 OIML R49)			: 160
Pressure Loss (Q3)		(bar)	: 0.6
Maximum Registration Capacity		(m ³)	: 99999
Smallest Reading Resolution		(m ³)	: 0.00005
Mounting on the network			: Horizontal
Unit weight		(kg)	: 0.89
Package Weight (without connections)		(kg)	: 9.05
Package Weight (with connections)		(kg)	: 12
Quantity per package			: 10
Package dimensions		(cm)	: 24.5x40x19.5

DIMENSIONS

Nominal diameter	DN	15	mm
Connecting diameter	D	G 3/4	B
Total overall meter height	H	97	mm
Axis height	h	20	mm
Length	L	165	mm
Width	B	95	mm
Length with connections	LB	258	mm

