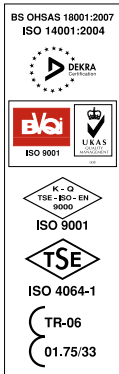
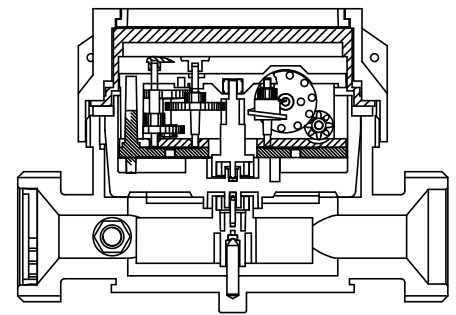




KK-1P Single jet Dry type Water Meter

BAYLAN
WATER METERS

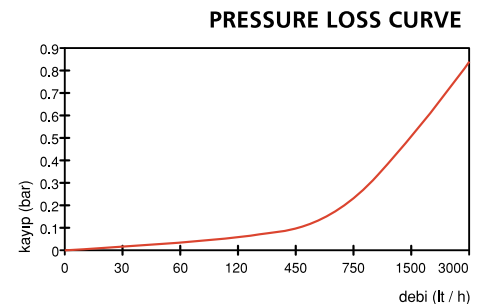
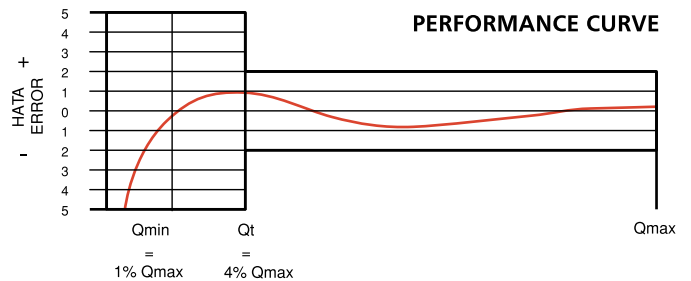


GENERAL

- Single jet design assures very high sensitivity even at low flows
- Plastic body with high resistance to pressure and impacts
- Available for optical reading
- 3 years of warranty
- 360° rotating lid
- Vacuum mechanism
- Suitable for cold water up to 50°C
- Almost no maintenance
- Service and spare parts available for 10 years

PERFORMANCE DATA

Nominal Flow	Qn	(m ³ /h)	: 1.5
Maximum Flow	Qmax	(m ³ /h)	: 3.0
Transitional Flow	Qt	(m ³ /h)	: 0.12
Minimum Flow	Qmin	(m ³ /h)	: 0.03
Initial Flow	Qi	(l/h)	: 7
Maximum Working Pressure		(bar)	: 16
Maximum Working Temperature		(°C)	: 50
Metrological Class			: B
Pressure Loss		(bar)	: 1
Maximum Registration Capacity		(m ³)	: 9999
Smallest Reading Resolution		(m ³)	: 0.00005
Mounting on the network			: Horizontal
Unit weight		(kg)	: 0.35
Package Weight (without connections)		(kg)	: 3.7
Package Weight (with connections)		(kg)	: 5.2
Quantity per package			: 10
Package dimensions		(cm)	: 20x41.5x15.5



DIMENSIONS

Nominal diameter	DN	20	mm
Connecting diameter	D	G 1	B
Total overall meter height	H	86	mm
Axis height	h	20	mm
Length	L	110	mm
Width	B	79	mm
Length with connections	LB	203	mm

