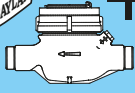


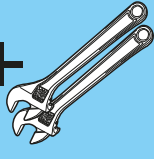
BAYLAN



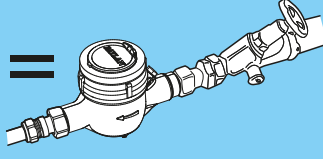
+



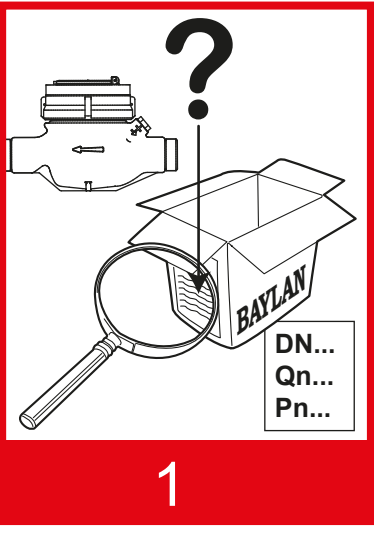
+



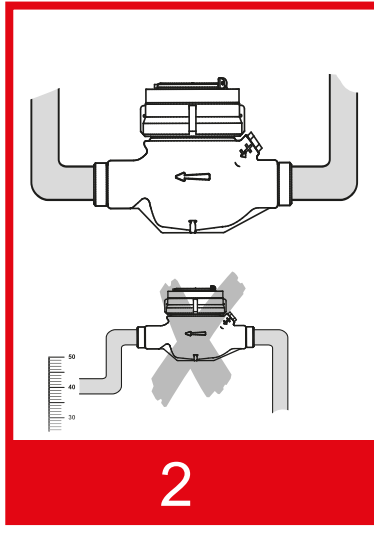
=



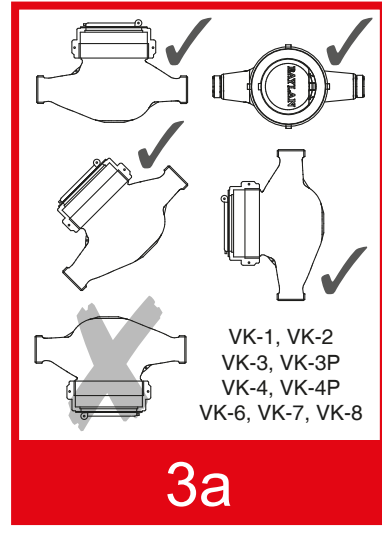
+



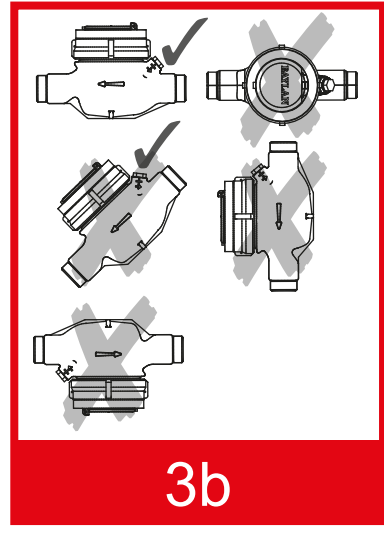
1



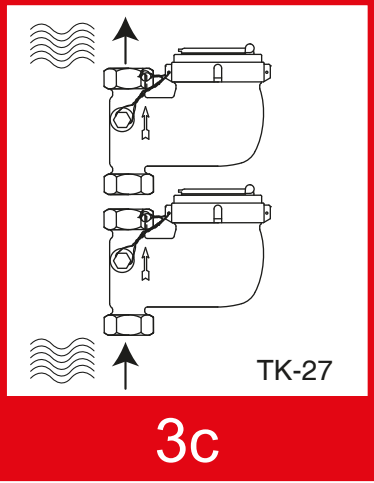
2



3a



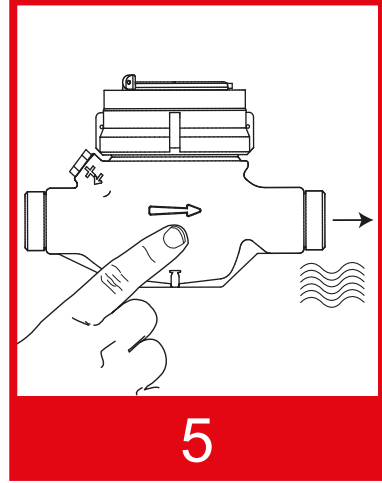
3b



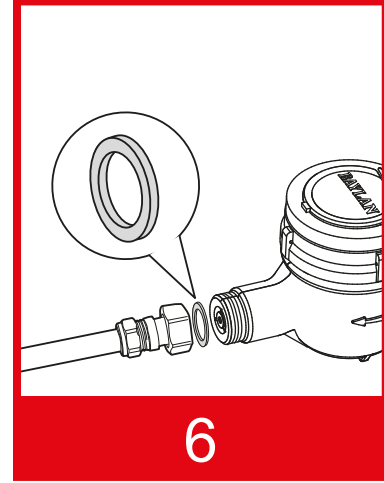
3c



4



5



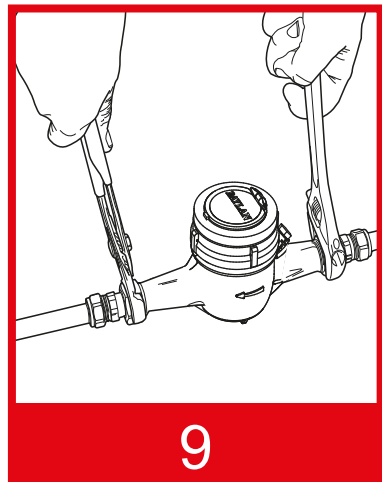
6



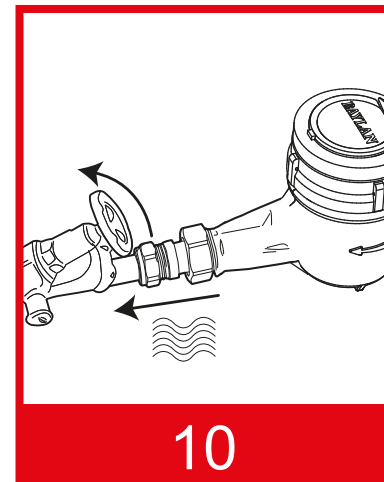
7



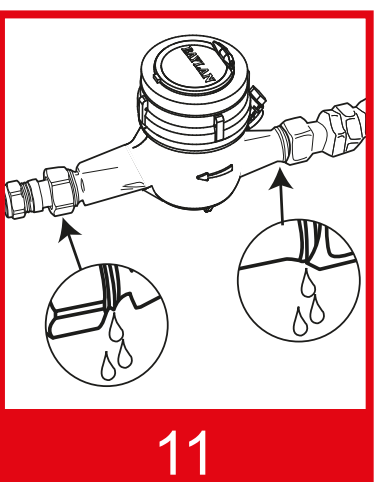
8



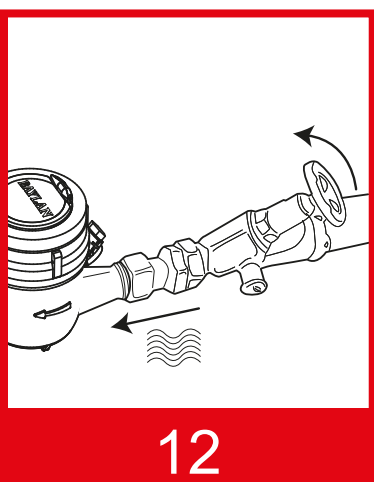
9



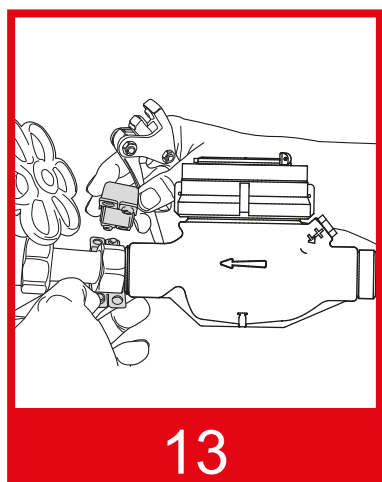
10



11



12



13

