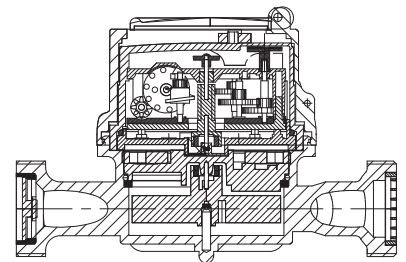


BAYLAN

WATER METERS

KK-14S

Single jet Dry type Water Meter (Hot Water)



GENERAL

- MID Certified
- Single jet design assures very high sensitivity even at low flows
- 360° rotating lid
- Available for optical reading
- Pulse output and AMR reading features are optional
- Electrostatic painted body made of corrosion resistant brass
- Protection against external magnetic fields
- 3 years of warranty
- Vacuumed mechanism
- Suitable for hot water up to 90°C
- Almost no maintenance
- Service and spare parts available for 10 years
- IP68 Protected
- Environmental Classes

Climatic : -10°C/+55°C | Mechanic: M1/O | Elektromagnetic: E2

- Q2 ≤ Q ≤ Q4 Maximum Permissible Error

Class 2 Water Meters; %±2 (Water Temp. ≤ 30°C), %±3 (Water Temp. > 30°C)

Class 1 Water Meters; %±1 (Water Temp. ≤ 30°C), %±2 (Water Temp. > 30°C)

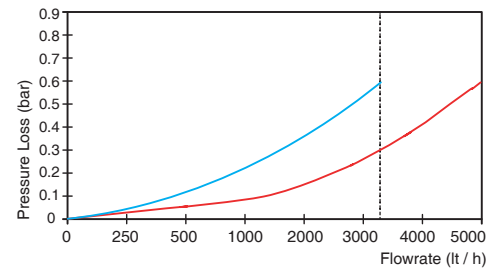
- Q1 ≤ Q < Q2 Maximum Permissible Error

Class 2 Water Meters; % ± 5 | Class 1 Water Meters; % ± 3

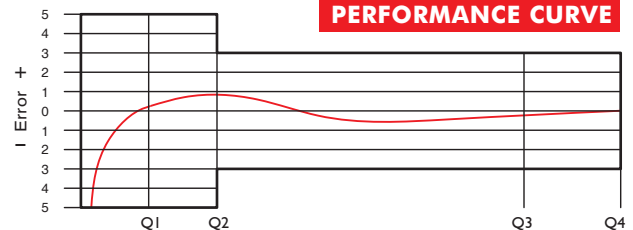
PERFORMANCE DATA

Overload Flowrate	Q4	m ³ /h	3,125	5		
Permanent Flowrate	Q3	m ³ /h	2,5	4		
Transitional Flowrate	Q2	m ³ /h	0,040	0,050	0,064	0,050
Minimum Flowrate	Q1	m ³ /h	0,025	0,03125	0,04	0,08
Q3/Q1 (MI-001 OIML R49)	-		≤100	≤80	≤100	≤80
Mounting on the network	-		H	V	H	V
Maximum Registration Capacity	m ³		9999 / 99999 / 99999,99 / 99999,999			
Initial Flow	Qi	l/h	5			
Maximum Working Pressure	bar		16			
Maximum Working Temperature	°C		90			
Pressure Loss Class	bar		0,63			
Smallest Reading Resolution	m ³ /h		0,00005			
Class	-		Class 1/Class 2			
Quantity per package	-		10			
Package dimensions	cm		21x42,5x16			

PRESSURE LOSS CURVE

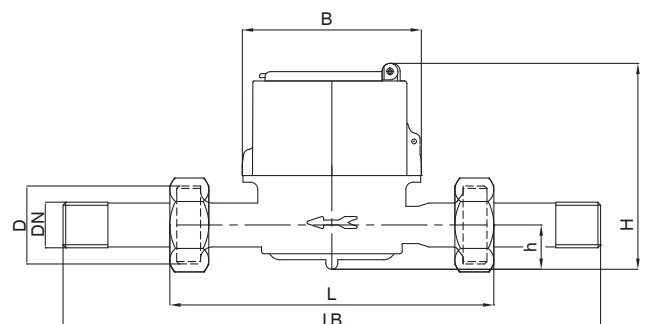


PERFORMANCE CURVE



DIMENSIONS

Nominal diameter	DN	20	mm
Connecting diameter	D	G 1	B
Total overall meter height	H	84,5	mm
Axis height	h	17,5	mm
Length	L	130	mm
Width	B	74,5	mm
Length with connections	LB	210	mm
Unit weight		0,52	kg
Package Weight (without connections)		5,72	kg
Package Weight (with connections)		7,62	kg



"Due to continuous development of our products, we reserve the right to modify our product design or construction without prior notice."