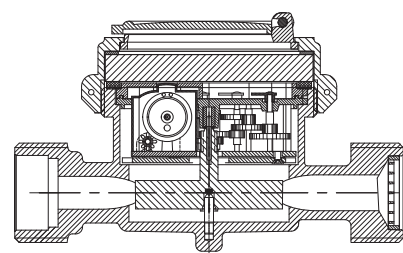


BAYLAN

WATER METERS

KY-2

Single jet Wet type Water Meter



GENERAL

- MID Certified
- Single jet design assures very high sensitivity even at low flows
- Available for optical reading
- Special glass with high resistance to pressure and impact
- Suitable for potable water
- 360° rotating lid
- Electrostatic painted body made of corrosion resistant brass
- 3 years of warranty
- Suitable for cold water up to 50°C
- Almost no maintenance
- Service and spare parts available for 10 years
- Environmental Classes

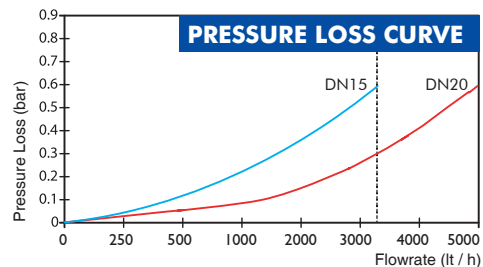
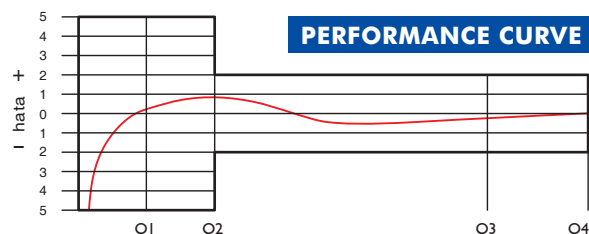
Climatic : -10°C/+55°C | Mechanic: M1/O | Elektromagnetic: E2

- Q2 ≤ Q ≤ Q4 Maximum Permissible Error
- Class 2 Water Meters; %±2 (Water Temp. ≤30°C), %±3 (Water Temp. >30°C)
- Class 1 Water Meters; %±1 (Water Temp. ≤30°C), %±2 (Water Temp. >30°C)
- Q1 ≤ Q < Q2 Maximum Permissible Error
- Class 2 Water Meters; % ± 5 | Class 1 Water Meters; % ± 3



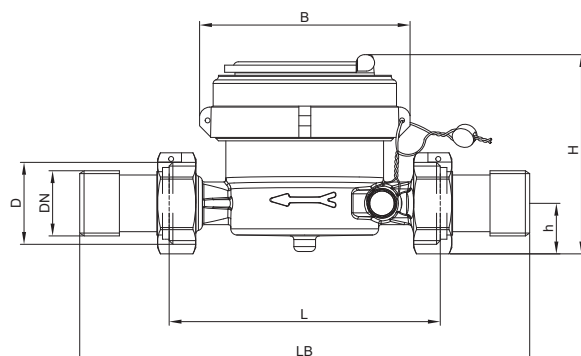
PERFORMANCE DATA

Nominal Diameter	mm	15 / 20		20	
Overload Flowrate	Q4	m ³ /h	3,125	5	
Permanent Flowrate	Q3	m ³ /h	2,5	4	
Transitional Flowrate	Q2	m ³ /h	0,01	0,1	0,016 0,16
Minimum Flowrate	Q1	m ³ /h	0,00625	0,0625	0,01 0,1
Q3/Q1 (MI-001 OIML R49)	-		≤400	≤40	≤400 ≤40
Mounting on the network	-		H	V	H V
Maximum Registration Capacity	m ³	9999 / 99999			
Initial Flow	Qi	l/h	5		
Maximum Working Pressure	bar	16			
Maximum Working Temperature	°C	50			
Pressure Loss Class	bar	0,63			
Smallest Reading Resolution	m ³	0,00005			
Class	-	Class 1/Class 2			
Quantity per package	-	10			



DIMENSIONS

Nominal diameter	DN	15	20	mm	
Connecting diameter	D	G 3/4	G 1	B	
Total overall meter height	H	79,9	79,9	mm	
Axis height	h	19,6	19,6	mm	
Width	B	86	86	mm	
Length	L	110 115	110 115	130	mm
Length with connections	LB	190 195	190 195	210	mm
Unit weight		0,58/0,64	0,62/0,68	kg	
Package Weight (without connect)		6,80	7,20	kg	
Package Weight (with connect)		8,40	9,10	kg	
Package dimensions		21x43x17	21x43x17	cm	



"Due to continuous development of our products, we reserve the right to modify our product design or construction without prior notice."