

BAYLAN

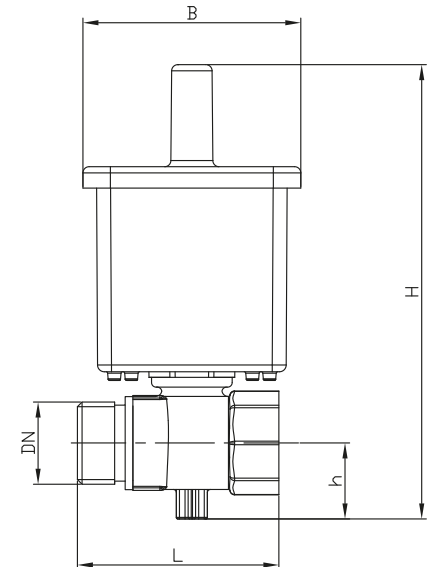
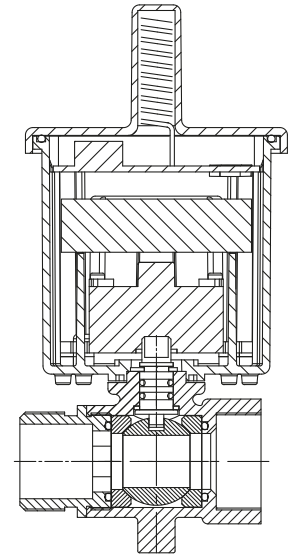
WATER METERS

LGS LoRa Natural Gas Valve



GENERAL

- Integrated Lora module-chipset allows both LORA and FSK modulation
- Supports LoRaWAN™ - Class A Protocol
- Selectable Frequency Band EU 863-870 Mhz
- ETSI EN 300 220-2 V3.2.1 (2018-06) compliant
- Open and close the valve from remote control center
- LoRa natural gas valve with pulse sensor
- Optical Port usage ensures isolation against external effects
- Reading and setting configuration with optical port
- Complete management of the gas consumption
- Elimination of meter reading process
- Supports prepayment mode no need for meter dismantling because of the debts
- Setting up different tariff
- Tamper detection and instant LoRa warning
- Long life lithium battery supplied
- LCD display providing access to meter data for billing and check
- All spare parts available, wide range of service network
- 3 years of warranty



DIMENSIONS

	DN	20	25	32	mm
Nominal diameter	DN	20	25	32	mm
Connecting diameter	D	G 1	G 1 1/4	G 1 1/2	B
Total overall meter height	H	152	154	-	mm
Length	L	70	120	-	mm
Width	B	81	81	81	mm
LCD Screen Length		50x22	50x22	50x22	mm
LCD Screen Angle		30°	30°	30°	mm
Unit weight		0,75	0,95	-	kg