

BAYLAN

WATER METERS

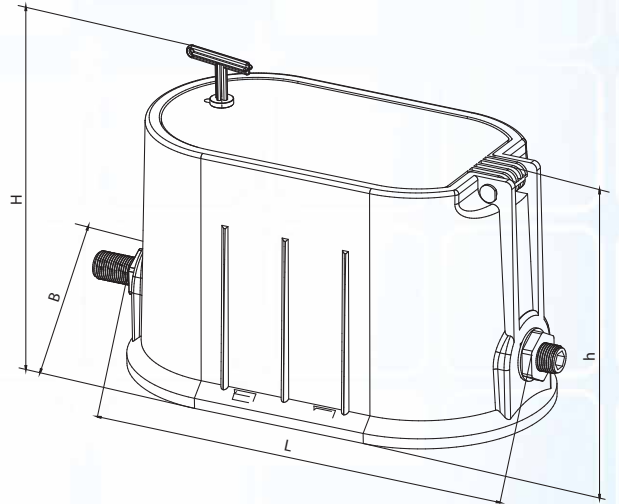
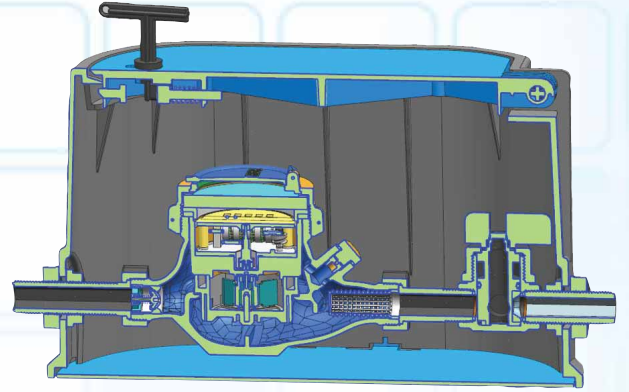
Plastic Meter Boxes

GENERAL FEATURES

- The Compact design that protects the water meter against external factors
- Made of polypropylene (PP), strong, a long lasting quality plastic material
- Not affected by rain, snow, sun, moisture
- Suitable for every brand and every type of water meter
- Used in electronic and mechanical water meters
- Easy setup
- Special lockable 180 degree opening cover
- Ready valve and connection equipment for water meter

DIMENSIONS

Total Height	H	235	mm
Box Height	h	195	mm
Length	L	335	mm
Width	B	185	mm
Unit Weight		1.07	kg



"Due to continuous development of our products, we reserve the right to modify our product design or construction without prior notice."

BAYLAN ÖLÇÜ ALETLERİ SAN. ve TİC. LTD. ŞTİ.

Factory: A.O.S.B. 10032 Sk. No:16 Cigli - IZMIR / TURKEY

Tel: +90 (232) 497 97 00 • Fax: +90 (232) 497 97 51 - 497 97 52 - 497 97 53

e-mail: info@baylanwatermeters.com • web: www.baylanwatermeters.com