

# BAYLAN

## WATER METERS

# TK-13

## Multi jet Dry type Water Meter



### GENERAL

- MID Certified
- Multi jet working principle assures a long service time
- Suitable for potable water
- 360° rotating lid
- Low pressure loss, high sensitivity at initial flow
- Electrostatic painted body made of corrosion resistant brass
- Protection against external magnetic fields
- Available for optical reading • Non return valve
- AMR reading features are optional
- 3 years of warranty • Almost no maintenance
- With stainless steel register cup
- Wiper on the glass is optional
- Suitable for cold water up to 50°C
- Service and spare parts available for 10 years
- IP68 Protected
- Environmental Classes

Climatic : -10°C/+55°C | Mechanic: M1/O | Elektromagnetic: E2

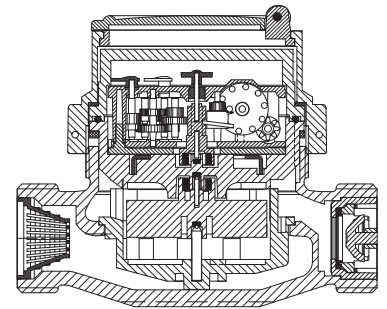
- Q2 ≤ Q ≤ Q4 Maximum Permissible Error

Class 2 Water Meters; %±2 (Water Temp. ≤ 30°C), %±3 (Water Temp. > 30°C)

Class 1 Water Meters; %±1 (Water Temp. ≤ 30°C), %±2 (Water Temp. > 30°C)

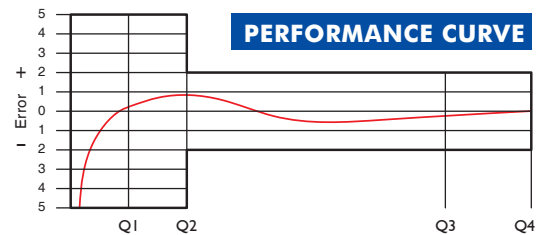
- Q1 ≤ Q < Q2 Maximum Permissible Error

Class 2 Water Meters; % ± 5 | Class 1 Water Meters; % ± 3

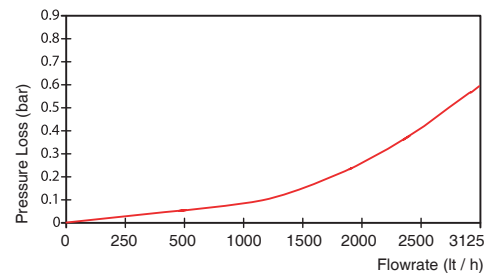


### PERFORMANCE DATA

Overload Flowrate	Q4	m <sup>3</sup> /h	3,125
Permanent Flowrate	Q3	m <sup>3</sup> /h	2,5
Transitional Flowrate	Q2	m <sup>3</sup> /h	0,0200
Minimum Flowrate	Q1	m <sup>3</sup> /h	0,0125
Q3/Q1 (MI-001 OIML R49)	-		≤200
Mounting on the network	-		Horizontal
Initial Flow	Qi	l/h	5
Maximum Working Pressure	bar		16
Maximum Working Temperature	°C		50
Pressure Loss Class	bar		0,63
Maximum Registration Capacity	m <sup>3</sup>		9999/99999/99999,99/99999,999
Smallest Reading Resolution	m <sup>3</sup> /h		0,00005
Class	-		Sınıf 1 / Sınıf 2
Quantity per package	-		10
Package dimensions	cm		22x42x16

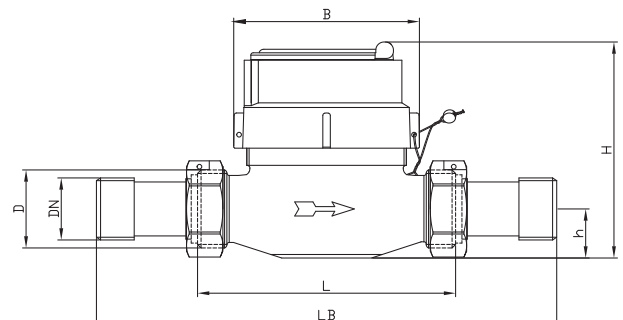


### PRESSURE LOSS CURVE



### DIMENSIONS

Nominal diameter	DN	20	mm
Connecting diameter	D	G 1	B
Total overall meter height	H	92	mm
Axis height	h	21	mm
Width	B	80	mm
Length	L	110   115	mm
Length with connections	LB	195   200	mm
Unit weight		0,70	kg
Package Weight (without connections)		7,70	kg
Package Weight (with connections)		9,60	kg



"Due to continuous development of our products, we reserve the right to modify our product design or construction without prior notice."