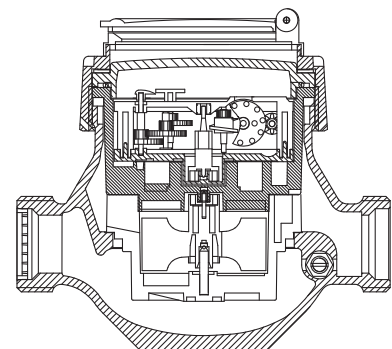


BAYLAN

WATER METERS

TK-19

Multi jet Dry type Water Meter



GENERAL

- MID Certified
- Multi jet working principle assures a long service time
- Suitable for potable water
- Low pressure loss, high sensitivity at initial flow
- Special glass with high resistance to pressure and impact
- Electrostatic painted body made of corrosion resistant brass
- Protection against external magnetic fields
- Available for optical reading • 360° rotating lid
- Pulse output and AMR reading features are optional
- 3 years of warranty • Non return valve
- Suitable for cold water up to 50°C
- Almost no maintenance
- Service and spare parts available for 10 years
- IP68 Protected
- Environmental Classes

Climatic : -10°C/+55°C | Mechanic: M1/O | Elektromagnetic: E2

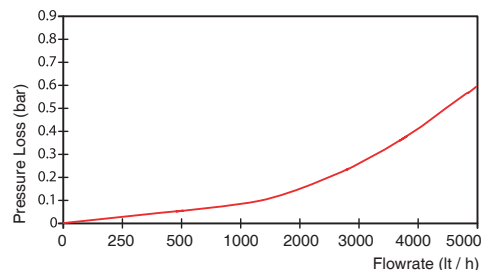
- $Q2 \leq Q \leq Q4$ Maximum Permissible Error
- Class 2 Water Meters; $\% \pm 2$ (Water Temp. $\leq 30^\circ\text{C}$), $\% \pm 3$ (Water Temp. $> 30^\circ\text{C}$)
- Class 1 Water Meters; $\% \pm 1$ (Water Temp. $\leq 30^\circ\text{C}$), $\% \pm 2$ (Water Temp. $> 30^\circ\text{C}$)
- $Q1 \leq Q < Q2$ Maximum Permissible Error
- Class 2 Water Meters; $\% \pm 5$ | Class 1 Water Meters; $\% \pm 3$



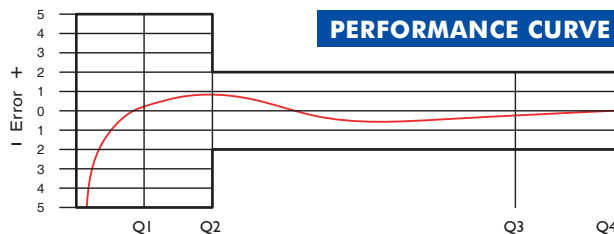
PERFORMANCE DATA

Overload Flowrate	Q4	m ³ /h	5	
Permanent Flowrate	Q3	m ³ /h	4	
Transitional Flowrate	Q2	m ³ /h	0,04	0,16
Minimum Flowrate	Q1	m ³ /h	0,025	0,10
Q3/Q1 (MI-001 OIML R49)			≤ 160	≤ 40
Mounting on the network			H	V
Maximum Registration Capacity	m ³		9999 / 99999 / 99999,99 / 99999,999	
Initial Flowrate	Qi	l/h	8	
Maximum Working Pressure	bar		16	
Maximum Working Temperature	°C		50	
Pressure Loss Class	bar		0,63	
Smallest Reading Resolution	m ³		0,00005	
Class			Class 1 / Class 2	
Unit weight	(kg)		1,15	
Package Weight (without connect)	(kg)		12,21	
Package Weight (with connect)	(kg)		14,11	
Quantity per package			10	
Package dimensions	(cm)		27x49x16,5	

PRESSURE LOSS CURVE

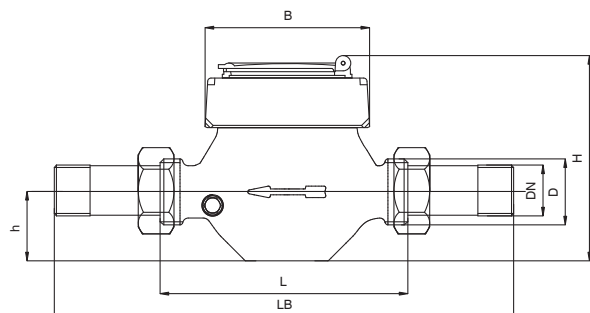


PERFORMANCE CURVE



DIMENSIONS

Nominal diameter	DN	20	mm
Connecting diameter	D	G 1	B
Total overall meter height	H	112	mm
Axis height	h	37	mm
Length	L	130	mm
Width	B	91	mm
Length with connections	LB	210	mm



"Due to continuous development of our products, we reserve the right to modify our product design or construction without prior notice."