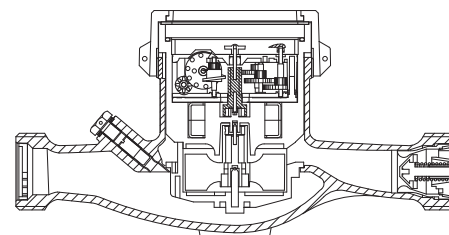


BAYLAN

WATER METERS

TK-21

Multi jet Dry type Water Meter



GENERAL

- MID Certified
- Multi jet working principle assures a long service time
- Suitable for potable water
- Low pressure loss, high sensitivity at initial flow
- Vacuumed mechanism • Protection against magnetic effects
- Electrostatic painted body made of corrosion resistant brass
- Protection against external magnetic fields
- Available for optical reading • Non return valve
- AMR reading features are optional
- Wiper on the glass is optional
- 3 years of warranty • Almost no maintenance
- Stainless steel register cup is optional
- Suitable for cold water up to 50°C
- Service and spare parts available for 10 years
- IP68 Protected
- Environmental Classes

Climatic : -10°C/+55°C | Mechanic: M1/O | Elektromagnetic: E2

- $Q2 \leq Q \leq Q4$ Maximum Permissible Error

Class 2 Water Meters; $\% \pm 2$ (Water Temp. $\leq 30^\circ\text{C}$), $\% \pm 3$ (Water Temp. $> 30^\circ\text{C}$)

Class 1 Water Meters; $\% \pm 1$ (Water Temp. $\leq 30^\circ\text{C}$), $\% \pm 2$ (Water Temp. $> 30^\circ\text{C}$)

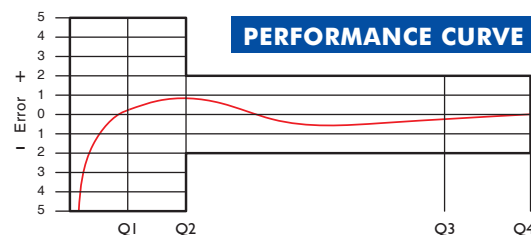
- $Q1 \leq Q < Q2$ Maximum Permissible Error

Class 2 Water Meters; $\% \pm 5$ | Class 1 Water Meters; $\% \pm 3$

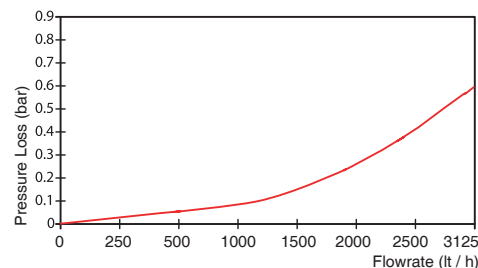


PERFORMANCE DATA

Overload Flowrate	Q4	m ³ /h	3,125
Permanent Flowrate	Q3	m ³ /h	2,5
Transitional Flowrate	Q2	m ³ /h	0,0200
Minimum Flowrate	Q1	m ³ /h	0,0125
Q3/Q1 (MI-001 OIML R49)	-		≤ 200
Mounting on the network	-		Horizontal
Initial Flow	Qi	l/h	5
Maximum Working Pressure	bar		16
Maximum Working Temperature	°C		50
Pressure Loss Class	bar		0,63
Maximum Registration Capacity	m ³		9999/99999/99999,99/99999,999
Smallest Reading Resolution	m ³ /h		0,00005
Class	-		Class 1 / Class 2
Quantity per package	-		10
Package dimensions	cm		24x47x23

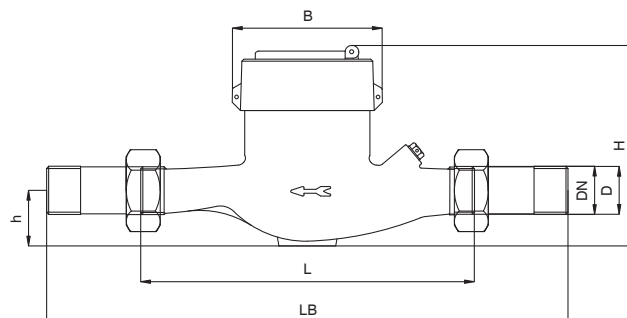


PRESSURE LOSS CURVE



DIMENSIONS

Nominal diameter	DN	20	mm
Connecting diameter	D	G 1	B
Total overall meter height	H	107	mm
Axis height	h	27	mm
Length	L	190	mm
Width	B	82	mm
Length with connections	LB	270	mm
Unit weight		1,09	kg
Package Weight (without connections)		11,80	kg
Package Weight (with connections)		13,70	kg



"Due to continuous development of our products, we reserve the right to modify our product design or construction without prior notice."