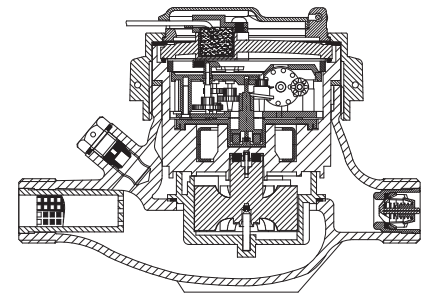


BAYLAN

WATER METERS

TK-4

Multi jet Dry type Water Meter



GENERAL

- MID Certified
- Reading with reed sensor • 1 pulse output at 1/10/100 lt
- Low pressure loss, high sensitivity at initial flow
- 360° rotating lid • Non return valve • Suitable for potable water
- Special glass with high resistance to pressure and impact
- Electrostatic painted body made of corrosion resistant brass
- Available for optical reading
- Pulse output and AMR reading features are optional
- 3 years of warranty • Almost no maintenance
- Suitable for cold water up to 60°C
- Stainless steel register cup is optional
- Service and spare parts available for 10 years
- IP68 Protected
- Environmental Classes

Climatic : -10°C/+55°C | Mechanic: M1/O | Elektromagnetic: E2

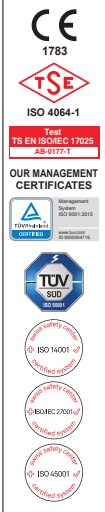
- $Q2 \leq Q \leq Q4$ Maximum Permissible Error

Class 2 Water Meters; $\% \pm 2$ (Water Temp. $\leq 30^\circ\text{C}$), $\% \pm 3$ (Water Temp. $> 30^\circ\text{C}$)

Class 1 Water Meters; $\% \pm 1$ (Water Temp. $\leq 30^\circ\text{C}$), $\% \pm 2$ (Water Temp. $> 30^\circ\text{C}$)

- $Q1 \leq Q < Q2$ Maximum Permissible Error

Class 2 Water Meters; $\% \pm 5$ | Class 1 Water Meters; $\% \pm 3$



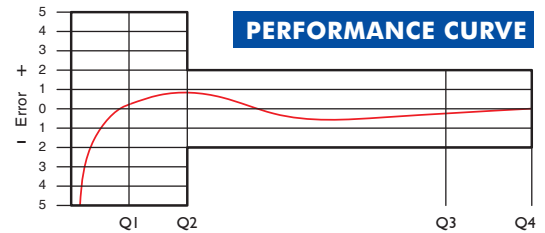
PERFORMANCE DATA

Overload Flowrate	Q4	m ³ /h	3,125
Permanent Flowrate	Q3	m ³ /h	2,5
Transitional Flowrate	Q2	m ³ /h	0,016
Minimum Flowrate	Q1	m ³ /h	0,01
Q3/Q1 (MI-001 OIML R49)	-		≤ 250
Mounting on the network	-		Horizontal
Initial Flow	Qi	l/h	5
Maximum Working Pressure	bar		16
Maximum Working Temperature	°C		50
Pressure Loss Class	bar		0,63
Maximum Registration Capacity	m ³ /h		9999/999999/999999,99/999999,999
Smallest Reading Resolution	m ³ /h		0,00005
Class			Class 1 / Class 2
Quantity per package	-		10

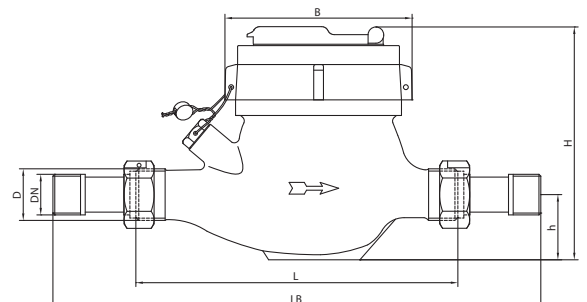
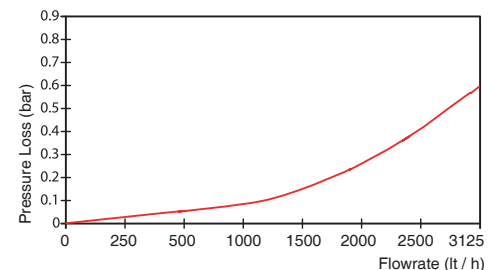
DIMENSIONS

Nominal diameter	DN	15	mm
Connecting diameter	D	G 3/4	B
Total overall meter height	H	118	mm
Axis height	h	35	mm
Length	L	165	mm
Width	B	95	mm
Length with connections	LB	245	mm
Unit weight		1,29	kg
Package Weight (without connect)		13,78	kg
Package Weight (with connect)		15,38	kg
Package dimensions		27x48x20	cm

PERFORMANCE CURVE



PRESSURE LOSS CURVE



"Due to continuous development of our products, we reserve the right to modify our product design or construction without prior notice."