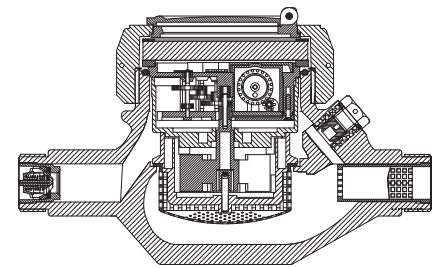


BAYLAN

WATER METERS

TY-8P

Multi jet Semi-Dry type Water Meter



GENERAL

- MID Certified
- Multi jet working principle assures a long service time
- Suitable for potable water
- Low pressure loss, high sensitivity at initial flow
- Propylene glycol protected register
- Special glass with high resistance to pressure and impact
- 360° rotating lid • Double filter • Non return valve
- Composite body with high resistance to pressure and impacts
- Available for optical reading
- Pulse output and AMR reading features are optional
- 3 years of warranty • Almost no maintenance
- Suitable for cold water up to 50°C
- Service and spare parts available for 10 years
- Brass or composite end connection options
- Environmental Classes

Climatic : -10°C/+55°C | Mechanic: M1/O | Elektromagnetic: E2

- Q2 ≤ Q ≤ Q4 Maximum Permissible Error
- Class 2 Water Meters; %±2 (Water Temp. ≤ 30°C), %±3 (Water Temp. > 30°C)
- Class 1 Water Meters; %±1 (Water Temp. ≤ 30°C), %±2 (Water Temp. > 30°C)
- Q1 ≤ Q < Q2 Maximum Permissible Error
- Class 2 Water Meters; % ± 5 | Class 1 Water Meters; % ± 3

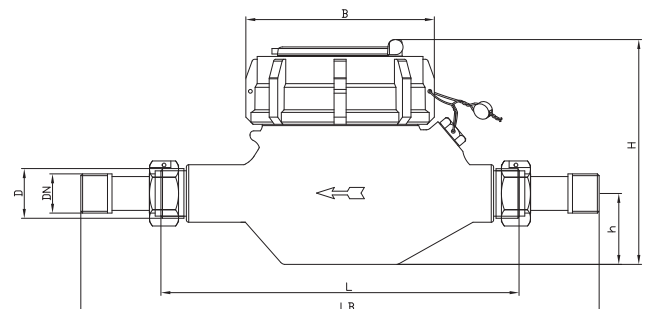
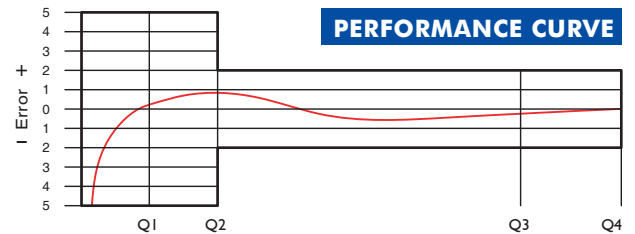
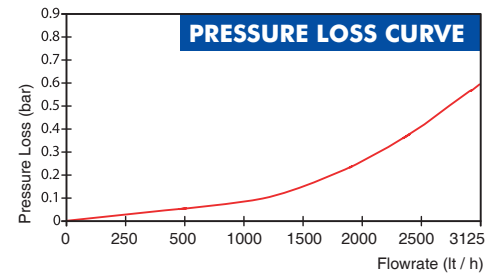


PERFORMANCE DATA

Overload Flowrate	Q4	m ³ /h	3,125
Permanent Flowrate	Q3	m ³ /h	2,5
Transitional Flowrate	Q2	m ³ /h	0,02 0,05
Minimum Flowrate	Q1	m ³ /h	0,0125 0,03125
Q3/Q1 (MI-001 OIML R49)	-		≤200 ≤80
Mounting on the network	-	H	V
Maximum Registration Capacity	m ³	9999 / 99999 / 99999,99 / 99999,999	
Maximum Working Pressure	bar	16	
Maximum Working Temperature	°C	50	
Pressure Loss Class	bar	0,63	
Initial Flow	Qi	l/h	7
Smallest Reading Resolution	m ³	0,00005	
Class	-	Class 1/Class 2	
Quantity per package	-	10	
Package dimensions	cm	28x51,5x23	

DIMENSIONS

Nominal diameter	DN	15	mm
Connecting diameter	D	G 3/4	B
Total overall meter height	H	109	mm
Axis height	h	37,6	mm
Width	B	97	mm
Length	L	190	mm
Length with connections	LB	270	mm
Unit weight		0,68	kg
Package Weight (without connect)		7,56	kg
Package Weight (with connect)		8.06	kg



"Due to continuous development of our products, we reserve the right to modify our product design or construction without prior notice."