

BAYLAN

WATER METERS

UM-3 RF (LoRa) Automatic Meter Reading Module



GENERAL

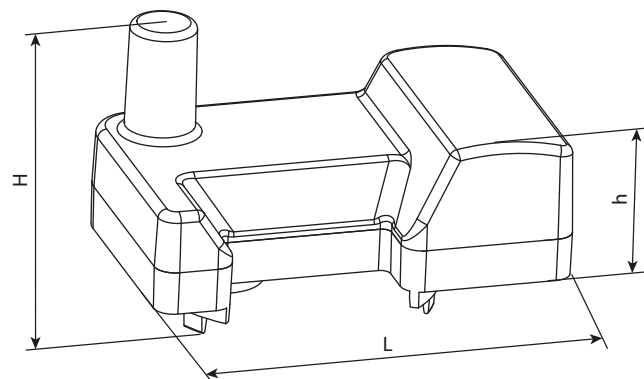
- Integrated Lora module-chipset allows both LORA and FSK modulation
- Supports LoRaWAN™ - Class A Protocol
- Supports Wireless MBUS T1 Protocol
- Selectable Frequency Band EU 863-870 Mhz
- ETSI EN 300 220-2 V3.2.1 (2018-06) compliant
- Power Supply 3.6V Lithium Battery
- Ability to measure forward and reverse flow separately
- 1 Lt. measuring sensitivity
- Reading indexes remotely
- Firmware update with Wireless M-Bus
- Obtain fast and effective readouts and easy billing
- Recognition of interferences and keep them at memory
- With inductive sensor full protection against magnetic
- Electronic flow detection • Internal battery
- Real time clock
- Easy assembly • Saving on time
- By creating databases, you can easily control consumption values
- Almost no maintenance • 10 years battery life
- 3 years of warranty • 10 years of spare parts and service

PERFORMANCE DATA

	LoRaWAN	Wireless MBus
Working Frequency	868 MHz	868 MHz
Communication Speed	0.3-10 Kbps	100 Kbps
Modulation	LoRa	FSK
Protocol	LoRaWAN	wM-Bus T1
Effective Distance (outside)	3000 m	600 m
Communication Type	Two Way	One Way
Band width	125 kHz	100 kHz
Transmitter output power	14 dBm	14 dBm
Local network capacity	+3000	250
Energy	3.6V DC lithium battery	
Battery Life	Up to 15 years*	
Working Temperature	-20/+70°C	
Weight	180 Gr.	
Protection Class	IP68	

DIMENSIONS

Total Height	H	57,8 mm
Axis Height	h	41,5 mm
Length	L	96,3 mm



* Standard conditions of use and temperature. Theoretical life, with no guarantee.

"Due to continuous development of our products, we reserve the right to modify our product design or construction without prior notice."